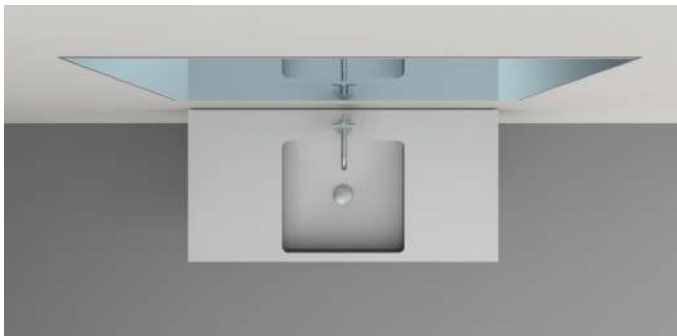




Counter Console Collection Slab Console

White cultured marble counters and integrated top bowl, with contrasting powder-coated metal console table, supplied in a variety of colours.



Description

The modern and contemporary Slab console provides a seamless all-in one vanity solution, with option to customise the unit length and basin cut-outs.

Top counter with integrated basin is manufactured at 100mm high, with bottom counter at 20mm thick, with 80mm splashback. Available as a single and double unit.

Metal is supplied in a variety of colours.

Integrated Bowl Size

Cube: L 396 | W 360 | H 100

External Console Dimensions

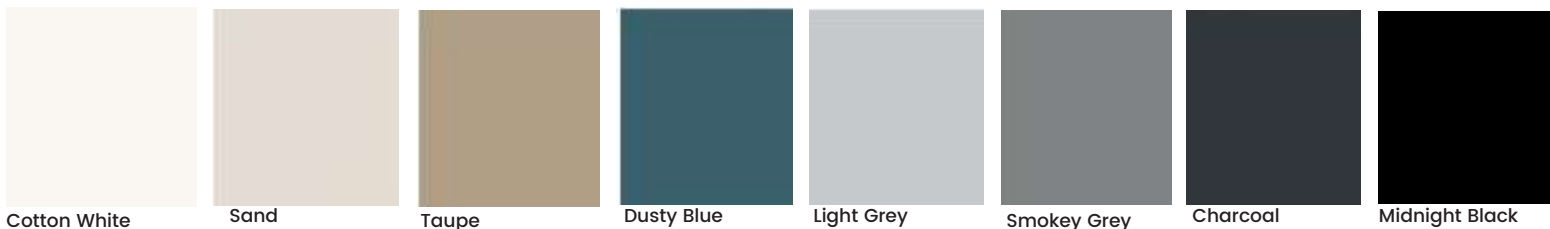
Length 800 - 2000

Width 500

Fascia 100

Bottom Counter thickness 20

Powder-coat Console Colours





Applications showcasing single | double units.



Single Console Side Elevation



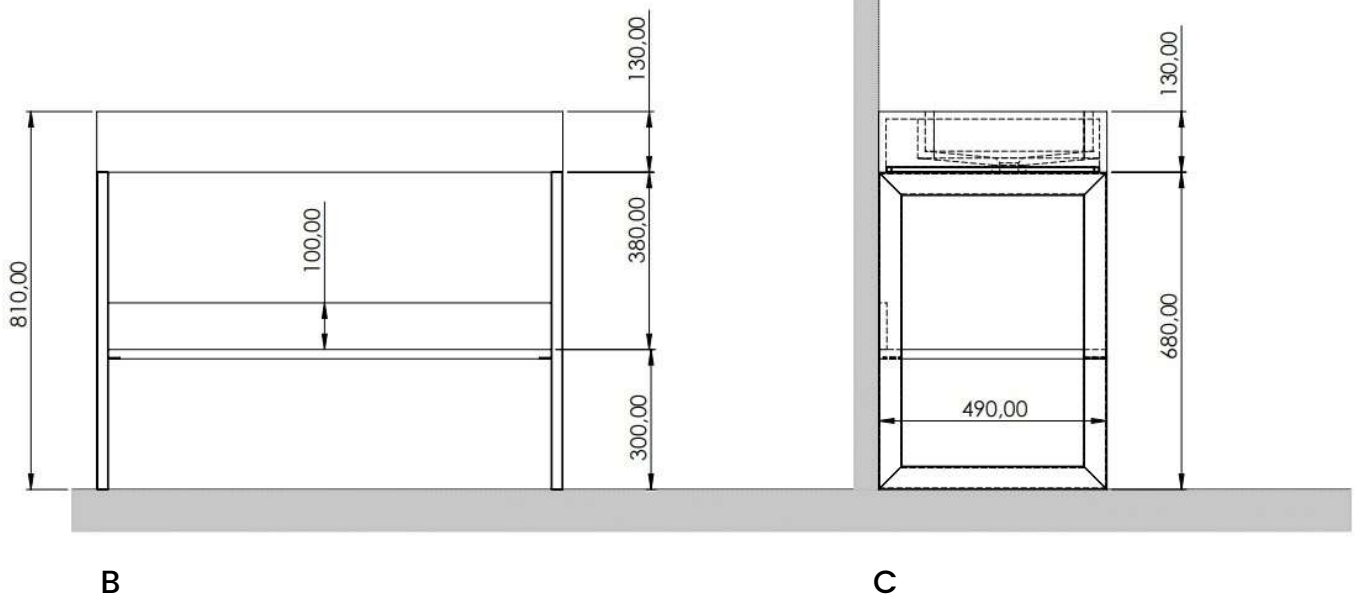
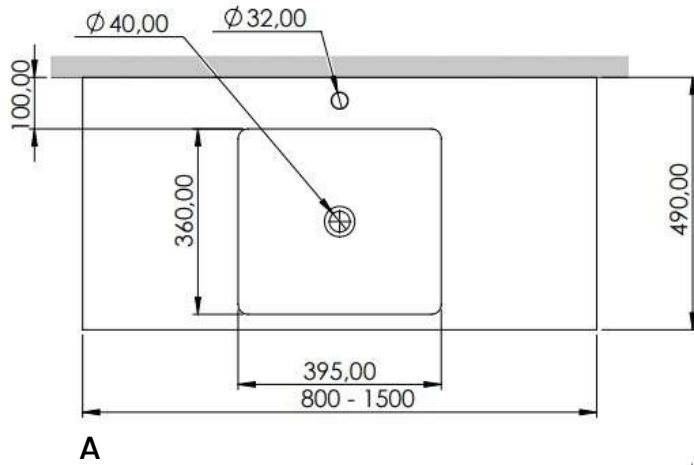
Single Console Perspective



Double Console Front Elevation



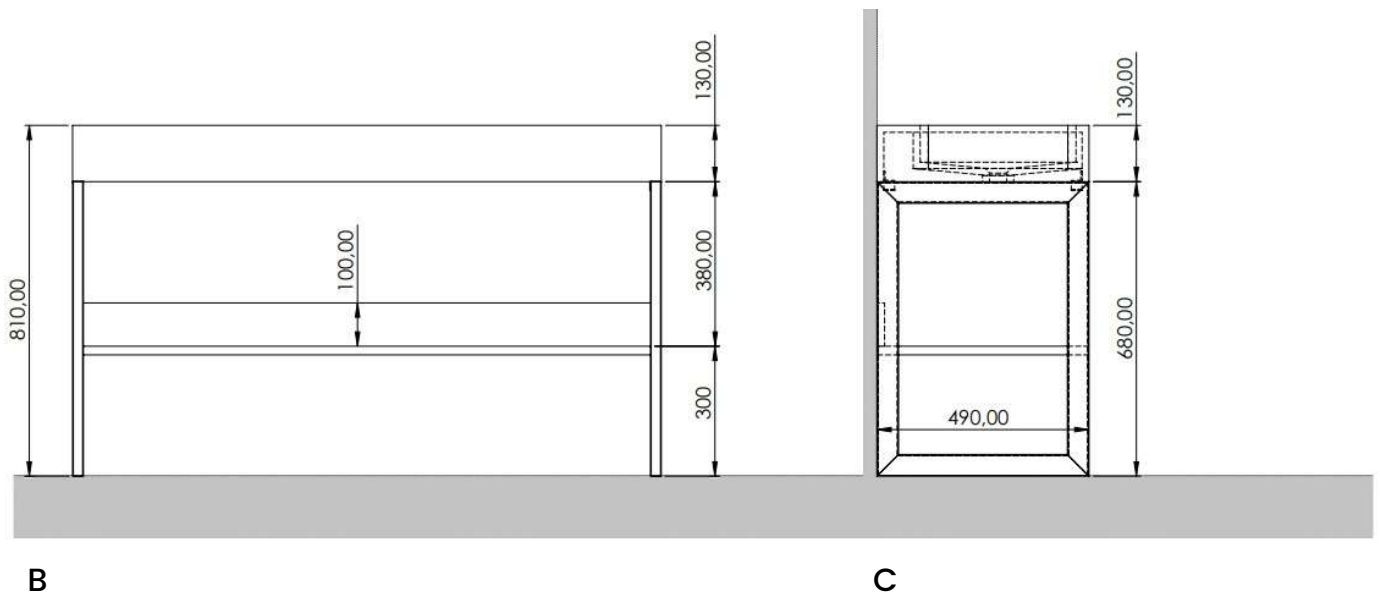
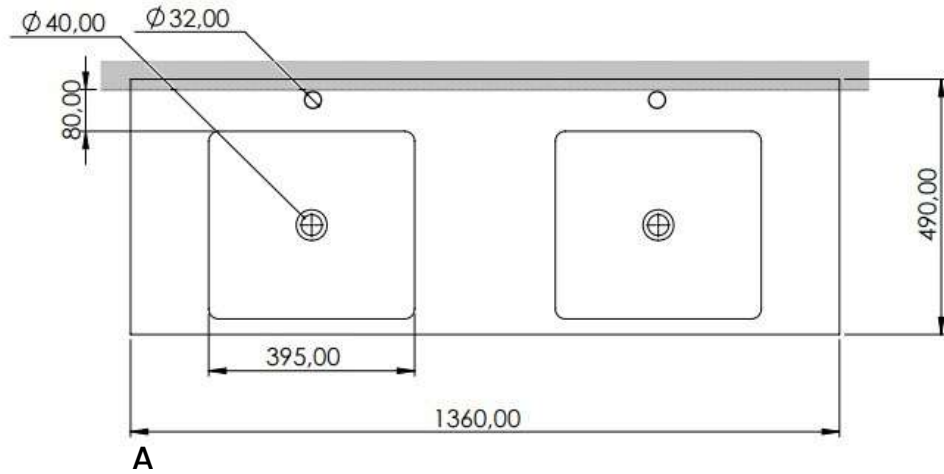
Single Slab Console | 3D line drawings



- A Plan of Block Single Slab Console
- B Front Elevation of Single Slab Console
- C Side Elevation of Single Slab Console



Double Console | 3D line drawings



- A Plan of Block Double Console
- B Front Elevation of Block Double Console
- C Side Elevation of Block Double Console



Material & Care Tips

Marblecast counters with integrated basins are made from a mixture of crushed marble and resin - 80% marble and 20% resin.

The material is mixed together and a small amount of catalyst is added.

The catalyst reacts with the resin and ensures that the resin polymerizes and hardens into a hard, strong mass.

This mass is then moulded into highly durable bathroom ware.

White marble has been polished to a high gloss.

Clean with a soft cloth or sponge using soap or mild detergent and warm water.

The use of abrasive pads or chemical abrasives will dull the product over time.

The thermostat in the hot water cylinder should be set at 60-65 degrees Celsius.

It is recommended to first run cold water into the bowl with a plug followed by the hot water. This will allow the marble to warm up slowly and ensure the longevity and attractiveness of the product.

Stains can be removed by hand with a white polishing compound.

Metal Consoles are supplied in a variety of powder-coat colours.

